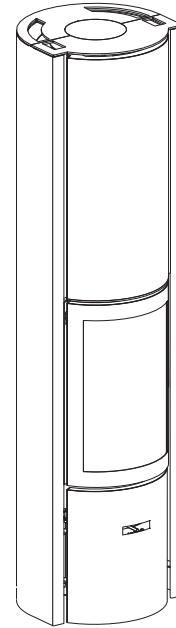


## 30-compact H | The stove



<b>3 doors</b>	glass door, closed-door, open fire
<b>combustion chamber</b>	compact
<b>control of the fire</b>	precision control of combustion air
<b>air-tightness</b>	control over the distribution of combustion air; sweeping of the glass, no consumption of room air; no CO in the living room
<b>excellent efficiency</b>	even at half-power
<b>low pollutant levels</b>	low emission of CO and fine particles even at half-power
<b>economical</b>	low wood consumption
<b>for traditional, energy-efficient and wood-framed homes</b>	✓
<b>150-mm smoke outlet</b>	at back or above
<b>accumulation of heat</b>	optional



### TECHNICAL SPECIFICATIONS

#### GENERAL

TYPE OF SYSTEM	stove
MATERIALS	steel + cast iron
COLOUR	Stuv grey
LOADING	manual
FUEL	wood
POSITION OF LOGS	vertical
LENGTH OF LOGS	40 cm

#### WEIGHT / DIMENSIONS

WEIGHT WITHOUT MASS	124 kg
WEIGHT WITH MASS	275 kg
Ø OF SMOKE DUCT	150 mm
Ø HOT-AIR OUTLETS	-
Ø OUTSIDE AIR INLET	63 mm

#### AIR

DIRECT OUTSIDE INLET	✓
CONTROL OF PRIMARY AIR	✓
CONTROL OF SECONDARY AIR	✓
POST-COMBUSTION	✓
AIR-TIGHTNESS	+++
OPERATION WITHOUT FAN	✓
OVERHEATING INDICATOR	X

#### PERFORMANCE

OUTPUT	6 kW
USAGE RANGE	3-9 kW
EFFICIENCY	> 80%
CO EMISSIONS	< 0,09%
FINE PARTICLE EMISSIONS	18 mg/Nm <sup>3</sup>
RANGE OF WOOD CONSUMPTION	0,8 - 2,3 kg/h
MINIMUM DRAW	12 Pa
SMOKE MASS FLOW	4,9 g/s
AVERAGE SMOKE TEMPERATURE	302°C
CONSUMPTION OF ROOM AIR FOR COMBUSTION	13,8 m <sup>3</sup> /h
ENERGY EFFICIENCY INDEX (EEI)	108
ENERGY EFFICIENCY CLASS	A+

#### MIN. THICKNESS OF INSULATION BETWEEN STOVE AND COMBUSTIBLE MATERIALS

BACK FACE	10 cm
SIDE FACE	10 cm
UPPER FACE	-
INSIDE FACE	0 cm

#### ACCESSORIES / EQUIPMENT

ACCUMULATION	○
CUPBOARD	X
BARBECUE	○
ASH-TRAY	✓
CONVECTION	✓
FAÇADE	X
OPEN FIRE	✓
MOBILOBOX	○
GROUND PLATE	○
READY-TO-FIT	X
LOG RACK	○
ROTARY FUNCTION	✓
BASE	X
FAN	X
RETRACTABLE GLASS	X

#### LEGEND

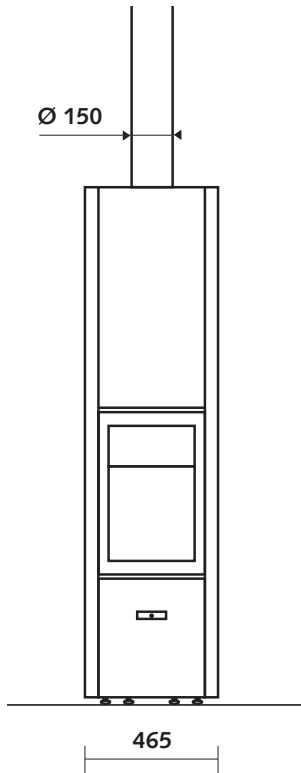
✓	STANDARD
X	UNAVAILABLE
○	OPTIONAL

# 30-compact H | The stove

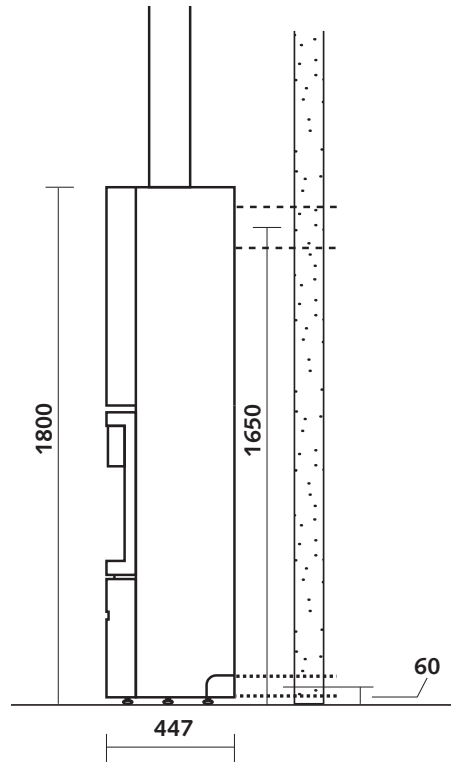


## DIMENSIONS OF THE STOVE

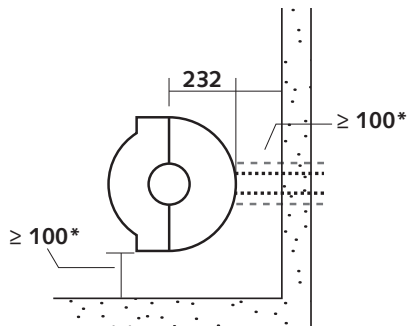
VIEW OF FRONT



VIEW OF PROFILE

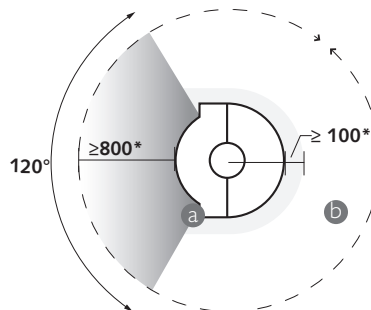


VIEW FROM ABOVE



\*Safety distances from combustible materials.

SAFETY DISTANCES

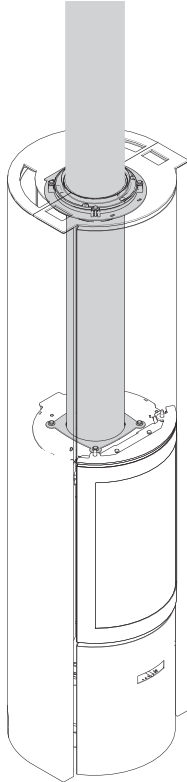


a: Heat radiated from the glass  
b: Heat radiated from the walls

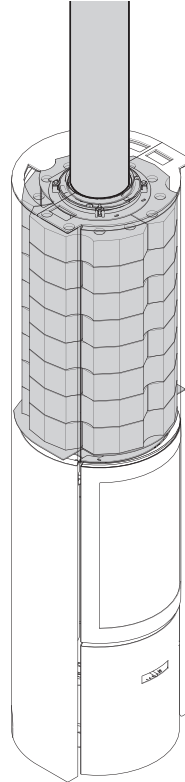
# 30-compact H | 4 configurations



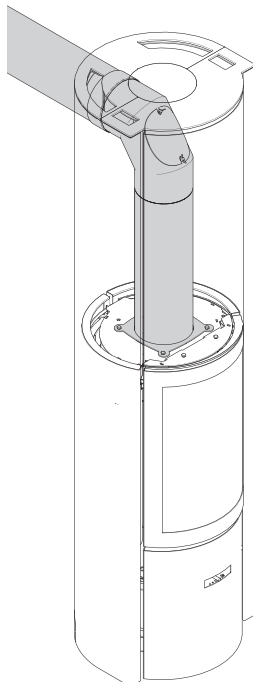
WITH OUTLET ABOVE WITHOUT ACCUMULATION KIT



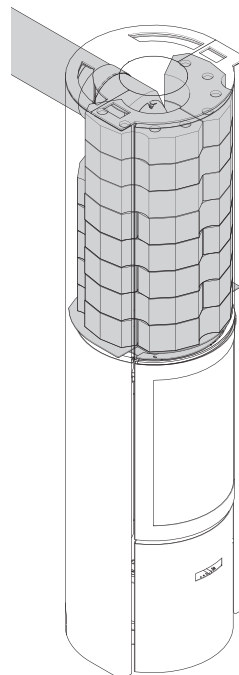
WITH OUTLET ABOVE AND ACCUMULATION KIT



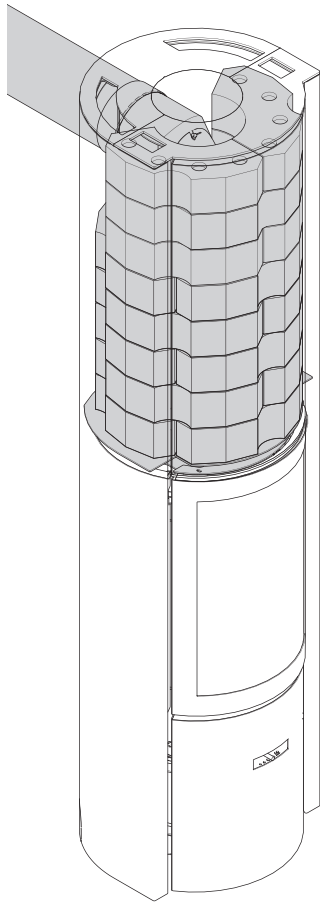
WITH BACK OUTLET WITHOUT ACCUMULATION KIT



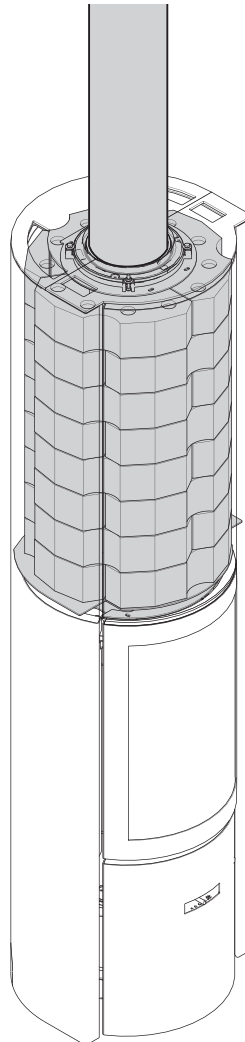
WITH BACK OUTLET AND ACCUMULATION KIT



# 30-compact H + accumulation option



With rear outlet



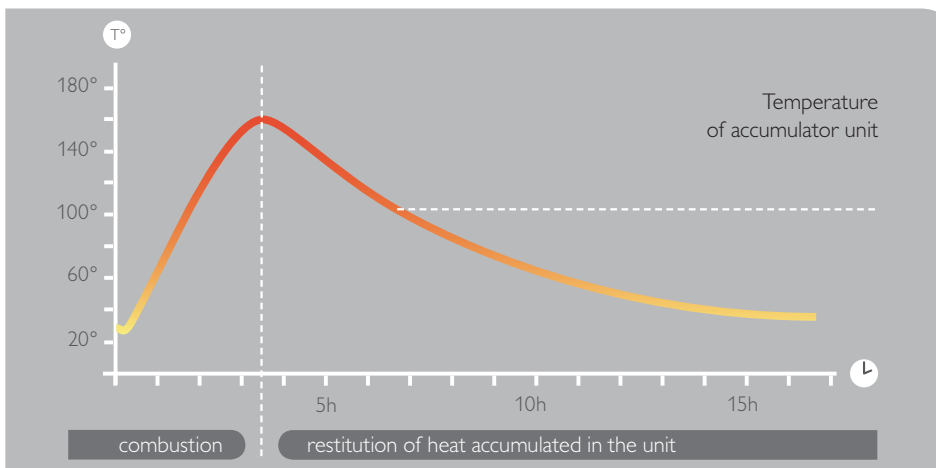
With upper outlet

Heat is radiated for up to 8 hours after the fire has died out

Ideal for wood-framed homes

Weight of accumulator unit:  
151 kg

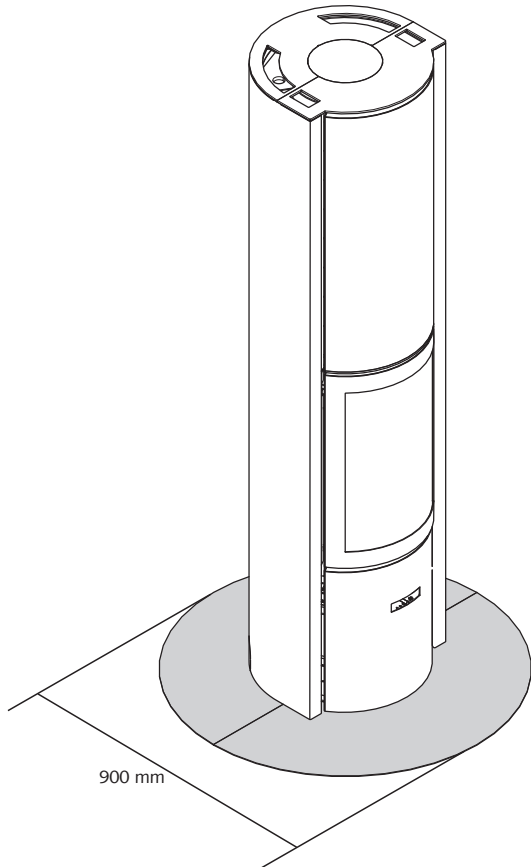
## TEMPERATURE CURVE GRAPHIC



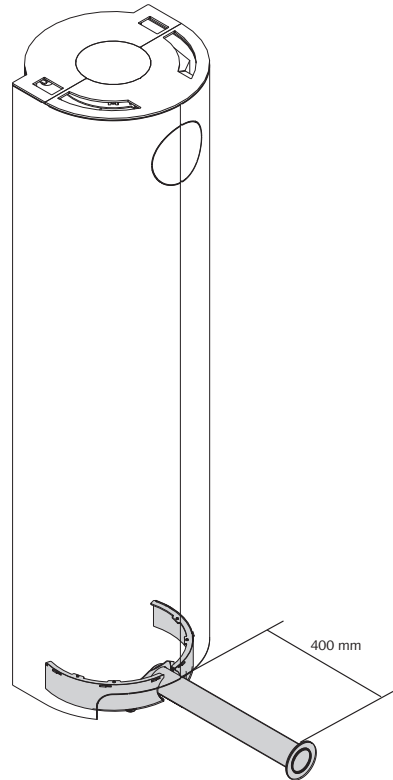
# 30-compact H + accessories



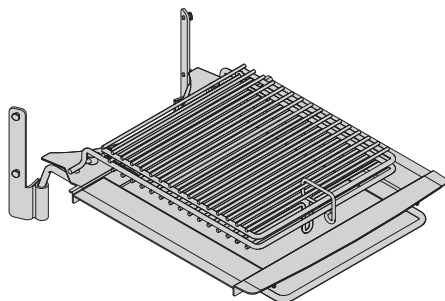
## WITH GROUND PLATE



## AIR INLET KIT



## BARBECUE



## DOOR WITH AUTOMATIC CLOSING (OPTION BAUART 1)

