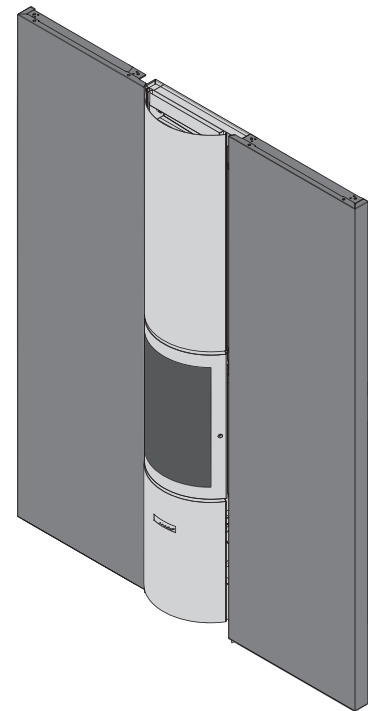


30-compact in facade | The stove



3 doors	glass door, closed door, open fire
combustion chamber	compact
control of the fire	precision control of combustion air
air-tightness	control over the distribution of combustion air; sweeping of the glass, no consumption of room air, no CO in the living room
excellent efficiency	even at half-power
low pollutant levels	low emission of CO and fine particles even at half-power
economical	low wood consumption
for traditional and energy-efficient	✓
150-mm smoke outlet	above
adaptable	various widths and finishes available, option of having cladding made in stone, various storage solutions as optional



TECHNICAL SPECIFICATIONS

GENERAL

TYPE OF SYSTEM	fitted
MATERIALS	steel + cast iron
COLOUR	Stûv grey
LOADING	manual
FUEL	wood
POSITION OF LOGS	vertical
LENGTH OF LOGS	40 cm

WEIGHT / DIMENSIONS

WEIGHT OF STOVE	125 kg
Ø OF SMOKE DUCT	150 mm
Ø HOT-AIR OUTLETS	150 mm
Ø OUTSIDE AIR INLET	63 mm

AIR

DIRECT OUTSIDE INLET	✓
CONTROL OF PRIMARY AIR	✓
CONTROL OF SECONDARY AIR	✓
POST-COMBUSTION	✓
AIR-TIGHTNESS	+++
OPERATION WITHOUT FAN	✓
OVERHEATING INDICATOR	✗

PERFORMANCE

OUTPUT	6 kW
USAGE RANGE	3-8 kW
EFFICIENCY	81 %
CO EMISSIONS	0.06 %
FINE PARTICLE EMISSIONS	27 mg/Nm ³
RANGE OF WOOD CONSUMPTION	0.8 - 2.3 kg/h
MINIMUM DRAW	12 Pa
SMOKE MASS FLOW	5.5 g/s
AVERAGE SMOKE TEMPERATURE	332 °C
CONSUMPTION OF ROOM AIR FOR COMBUSTION	15 m ³ /h
ENERGY EFFICIENCY INDEX (EEI)	108
ENERGY EFFICIENCY CLASS	A+

MIN. THICKNESS OF INSULATION BETWEEN STOVE AND COMBUSTIBLE MATERIALS

BACK FACE	0 cm
SIDE FACE	3 cm
UPPER FACE	3 cm
INSIDE FACE	0 cm

ACCESSORIES / EQUIPMENT

ACCUMULATION	✗
CUPBOARD	✗
BARBECUE	○
ASHTRAY	✓
CONVECTION	✓
FAÇADE	○
OPEN FIRE	✓
MOBILOBOX	○
GROUND PLATE	○
READY-TO-FIT	○
LOG RACK	○
ROTARY FUNCTION	✗
BASE	✗
FAN	○
RETRACTABLE GLASS	✗

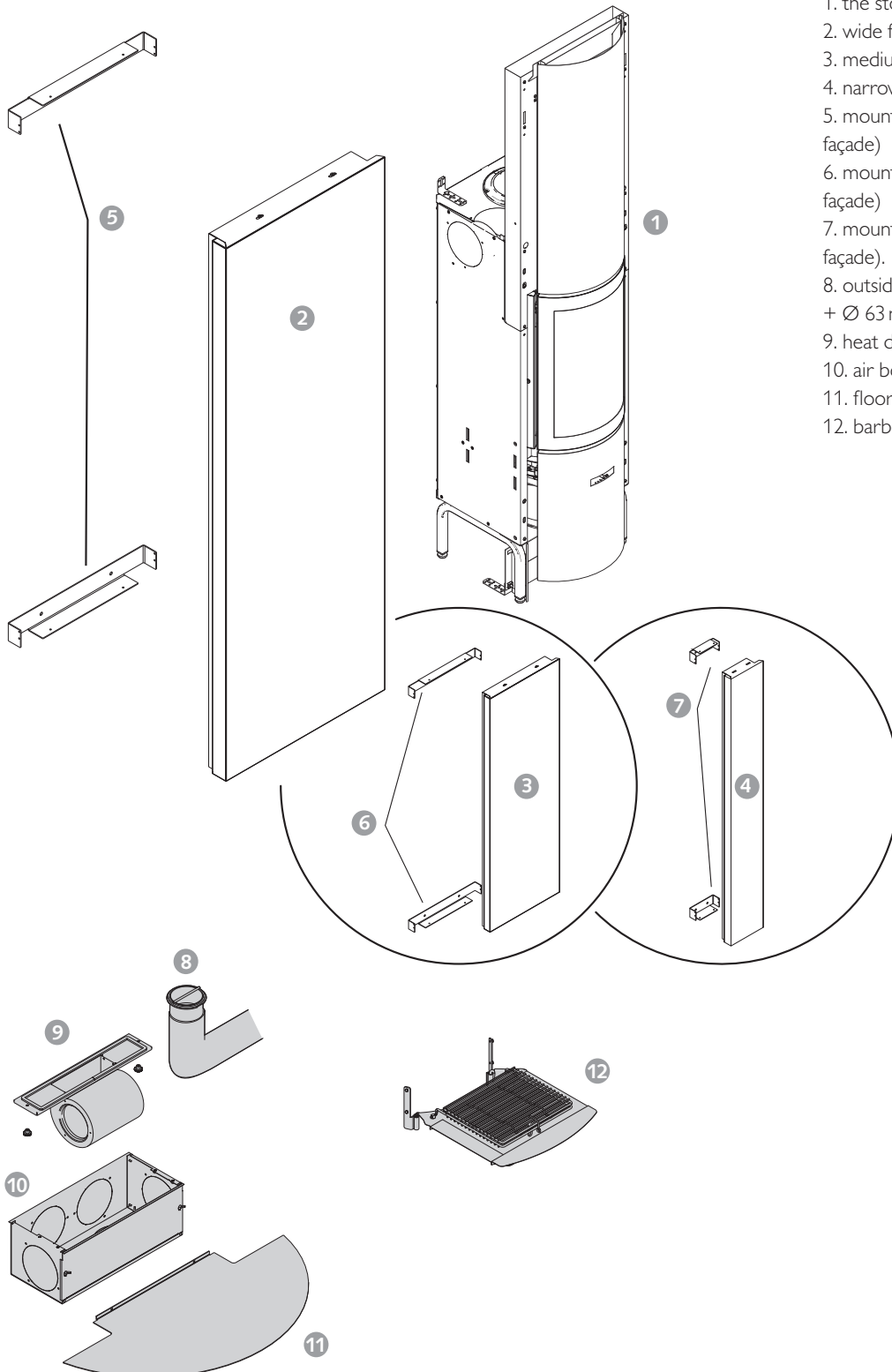
LEGEND

✓	STANDARD
✗	UNAVAILABLE
○	OPTIONAL

30-compact in facade | Cladding



THE BASIC STOVE AND ITS OPTIONAL FEATURES

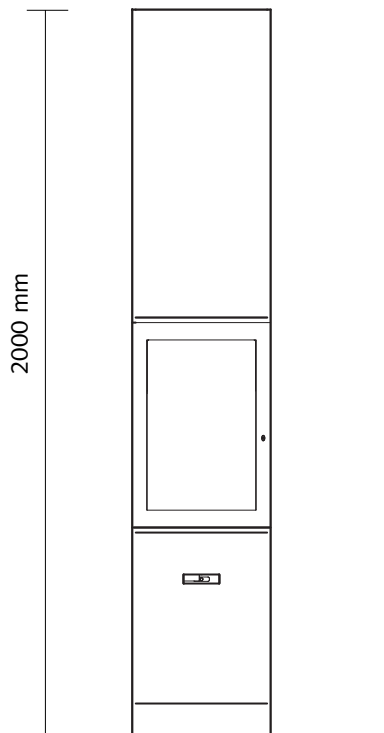


1. the stove
2. wide façade (680 mm)
3. medium façade (580 mm)
4. narrow façade (280 mm)
5. mounting angle (for wide façade)
6. mounting angle (for medium façade)
7. mounting angle (for narrow façade).
8. outside air intake kit: Flue outlet + Ø 63 mm flexible tubing (3 m)
9. heat distribution kit (fan)
10. air box
11. floor finishing plate
12. barbecue kit

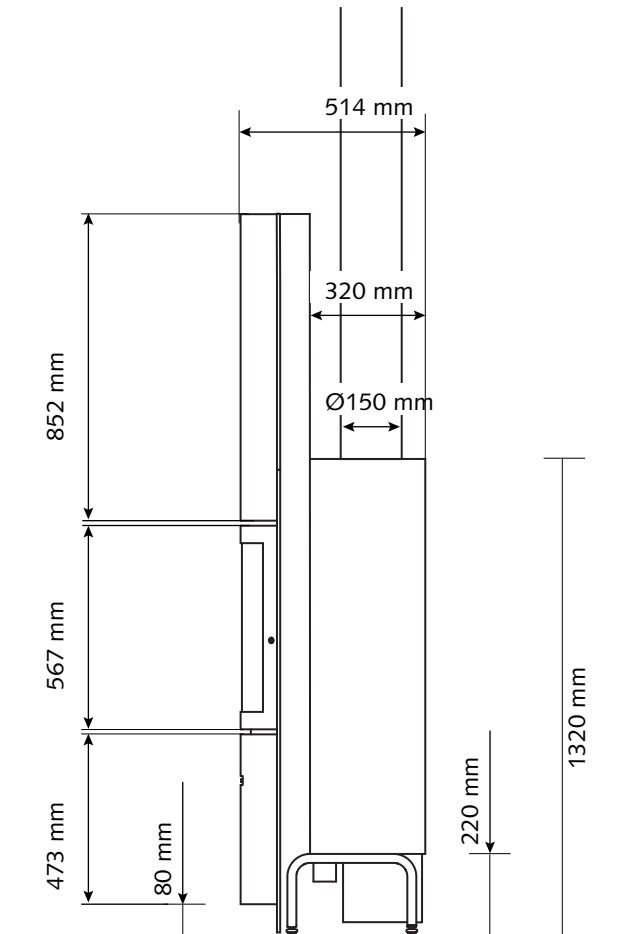
30-compact in facade | The stove



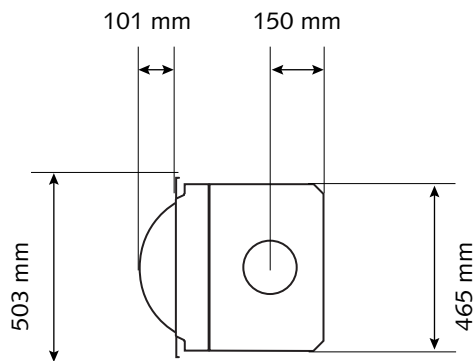
VIEW OF FRONT



VIEW OF PROFILE



VIEW FROM ABOVE

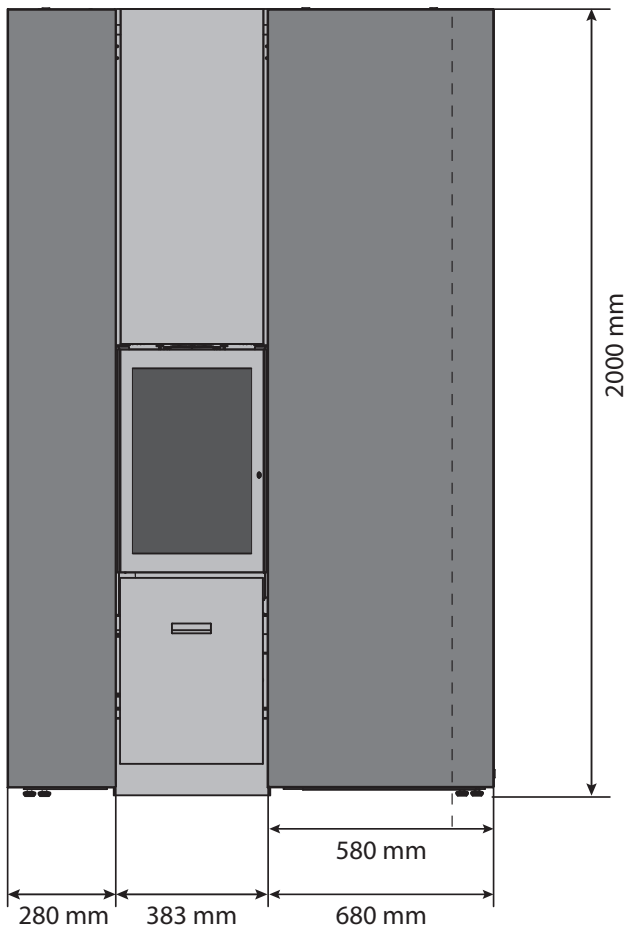


30-compact in facade | Cladding

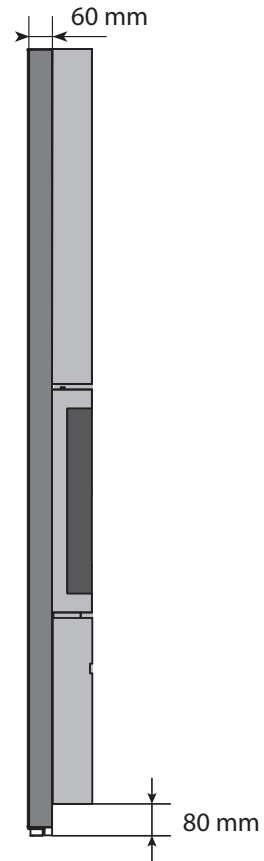


DIMENSIONS OF THE 30-COMPACT IN - FACADE PARALLEL TO WALL*

VIEW OF FRONT



VIEW OF PROFILE

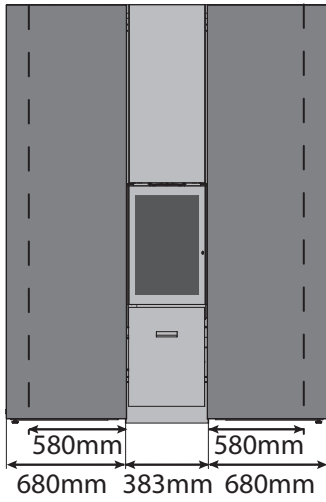


*Façade panels available in three widths: 280, 580 and 680 mm

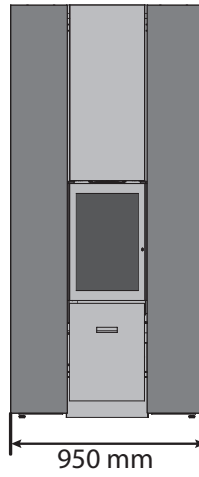
30-compact in facade | Configurations



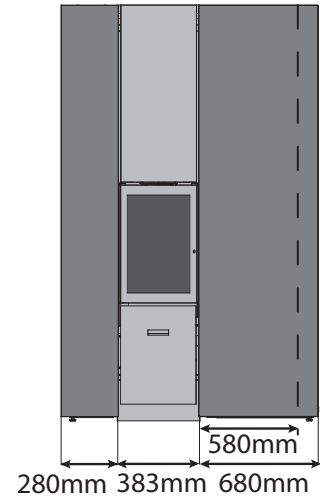
SYMMETRICAL WIDE



SYMMETRICAL NARROW



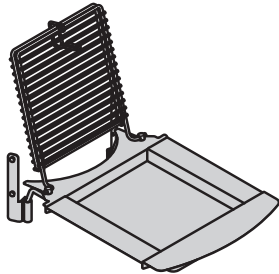
ASYMMETRIC RIGHT OR LEFT



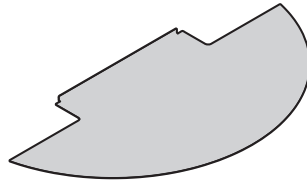
30-compact in facade + accessories



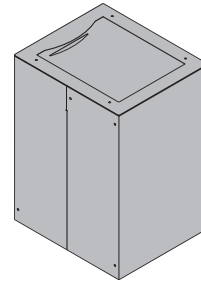
BARBECUE



GROUND PLATE

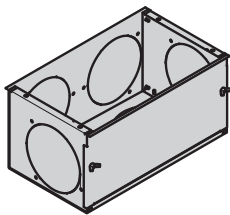


MOBILOBOX**

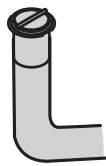


** 4 colours of lid possible (Stuv Black, Stuv Grey, RAL9007, RAL9010)

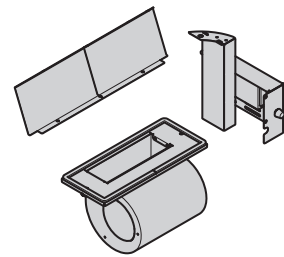
AIR CASE



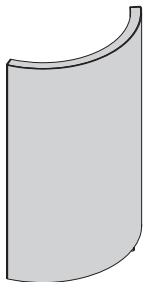
AIR INLET KIT



VENTILATION KIT



DOOR WITH AUTOMATIC CLOSING
(OPTION BAUART 1)



MOBILE LOG HOLDER

